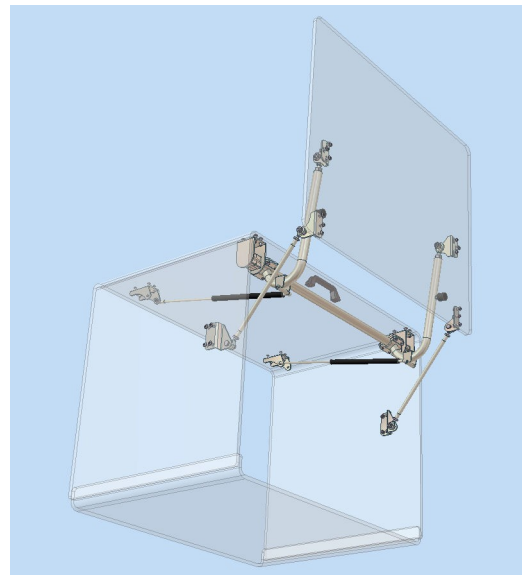


120-1000 Prima ClassicDOOR Hinge System

The ClassicDOOR pantograph hinge system is a pre-engineered solution to provide kitted components that simplify the design, fabrication, assembly and opening of bus and motor coach luggage compartment doors. Variables to determine the proper kits; are the weight of the door, width of the door and the height that the door travels vertically. The following are the components that make-up the kits:

- ◆ Tube Assemblies
- ◆ Lever Arms
- ◆ Brackets and Struts
- ◆ Gas Shocks



DESIGNED FOR:

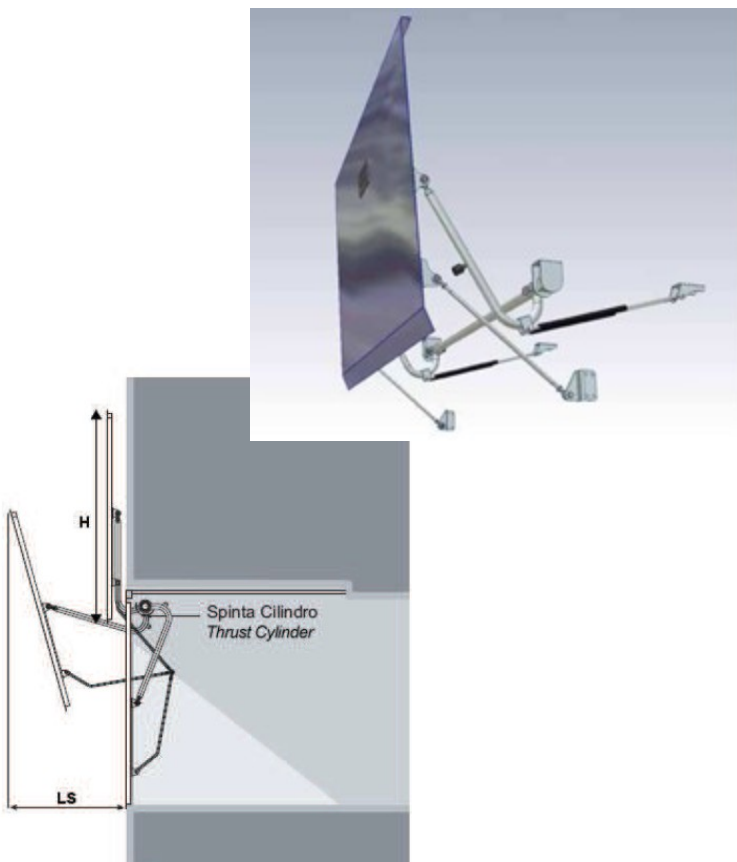
- Medium to heavy-duty bus and motor coach pantograph hinge style luggage doors
- Door weights of 30-80 Kg (66-175 lbs.)
- Door heights between 750-1500mm (29.5-59.0 in.)

FEATURES/BENFITS:

- Select from pre-engineered components and sub-assemblies to simplify the design and installation.
- The robust Tube Assemblies and Lever Arms ensure smooth operation and the Struts and Gas Shocks provide stability and balance to the door operation

AVAILABLE:

- TriMark can provide the entire hinge system or select components that are application matched to ensure balanced, smooth and safe operation



TriMark Corporation
500 Bailey Avenue
P.O. Box 350
New Hampton, Iowa 50659
United States
Tel: 641-394-3188
Fax: 641-394-2392
1-800-447-0343
www.trimarkcorp.com

10002707 QM08 ISO 9001: 2008
10002707 TS09 ISO/TS 16949: 2009

TriMark Corporation

TriMark Europe
Cedar Court
Walker Road
Bardon Hill
Coalville LE67 1TU
United Kingdom
Tel: +55 (0)1530 512460
Fax: +44(0)1530 512461
www.trimarkeu.com

427961 QM08 ISO 9001 : 2008
427961 UM ISO 14001 : 2004

TriMark Europe Ltd.